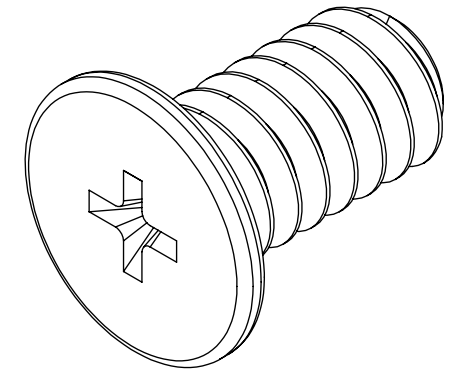
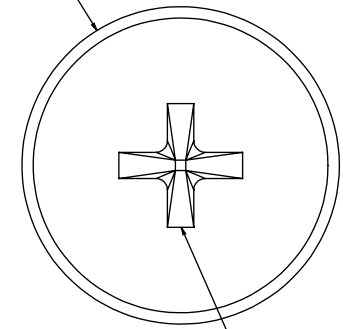


REVISIONS		
REV.	DESCRIPTION	DATE
01	INITIAL RELEASE	2014 05 01

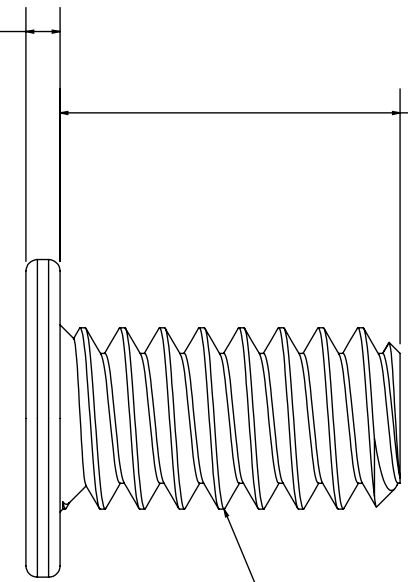


Ø 2.80
2.66



#0 PHILLIPS DRIVE

0.30
0.20



3.00 0.00
-0.30

M1.6 X 0.35 - 6G THREADS

DIMENSIONS ARE IN MM (INCHES) TOLERANCES: <table border="0"> <tr> <td colspan="2">LINEAR</td> <td colspan="2">ANGLE</td> </tr> <tr> <td>X.X</td> <td>±0.5</td> <td>X°</td> <td>±1°</td> </tr> <tr> <td>X.XX</td> <td>±0.1</td> <td>X.X°</td> <td>±0.5°</td> </tr> </table>		LINEAR		ANGLE		X.X	±0.5	X°	±1°	X.XX	±0.1	X.X°	±0.5°	 www.usmicroscrew.com	
LINEAR		ANGLE													
X.X	±0.5	X°	±1°												
X.XX	±0.1	X.X°	±0.5°												
MATERIAL 1018 STEEL		TITLE: M1.6 ULTRA THIN HEAD													
FINISH ZINC PLATE (ROHS)		SIZE B	DWG. NO. M16-30-M-Z-UT												
		SCALE: 15:1	REV 01												
		WEIGHT:	SHEET 1 OF 1												