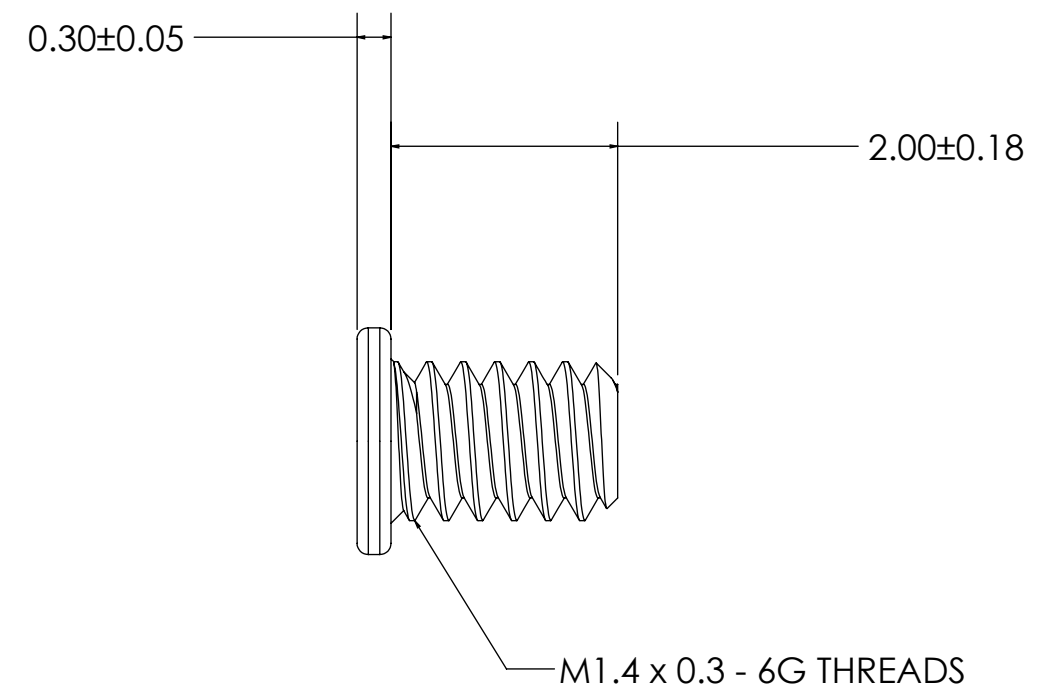
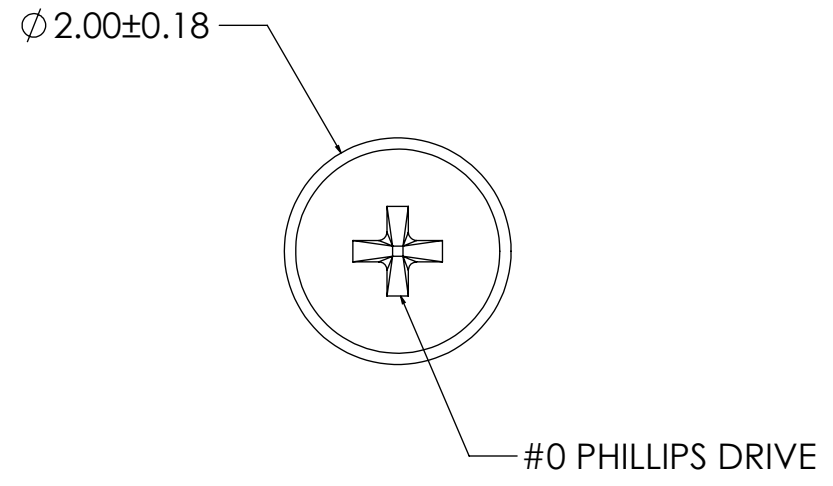
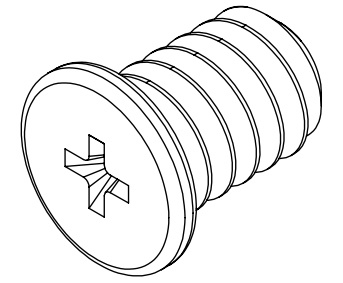


REVISIONS		
REV.	DESCRIPTION	DATE
01	INITIAL RELEASE	2013 12 18



DIMENSIONS ARE IN MM (INCHES) TOLERANCES:  LINEAR      ANGLE X.X    ±0.5    X°    ±1° X.XX   ±0.1   X.X°   ±0.5°		 <a href="http://www.usmicroscrew.com">www.usmicroscrew.com</a>	
MATERIAL 302 STAINLESS STEEL		TITLE: M1.4 ULTRA THIN HEAD	
FINISH PASSIVATED		SIZE <b>B</b>	DWG. NO. M14-20-M-SS-UT
		SCALE: 15:1	REV <b>01</b>
		WEIGHT:	SHEET 1 OF 1