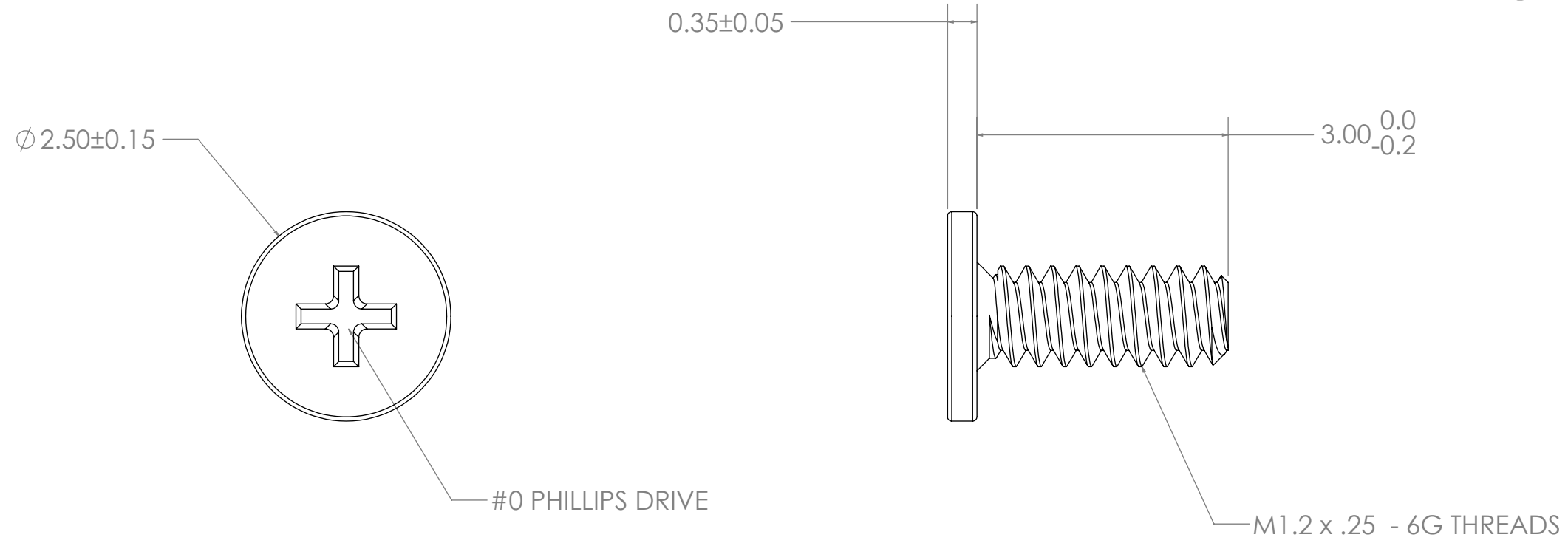
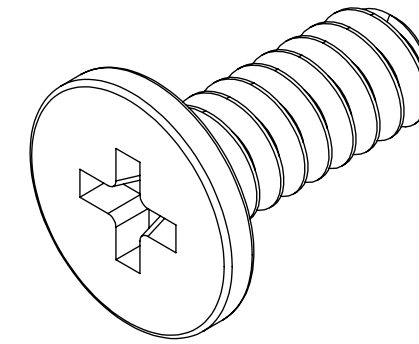


REVISIONS		
REV.	DESCRIPTION	DATE
01	INITIAL RELEASE	2012 09 12



DIMENSIONS ARE IN MM TOLERANCES: LINEAR ANGLE X.X ±0.5 X° ±1° X.XX ±0.1 X.X° ±0.5°		 www.usmicroscrew.com	
MATERIAL CARBON STEEL, HARDENED		TITLE: M1.2 ULTRA THIN HEAD	
FINISH ZINC PLATE		SIZE B	DWG. NO. M12-30-M-Z-UT
		SCALE: 15:1	REV 01
		WEIGHT: 0.03	SHEET 1 OF 1